



Seenite™ mini

The world's smallest maritime gyro-stabilised thermal imaging system

Technical Data Sheet

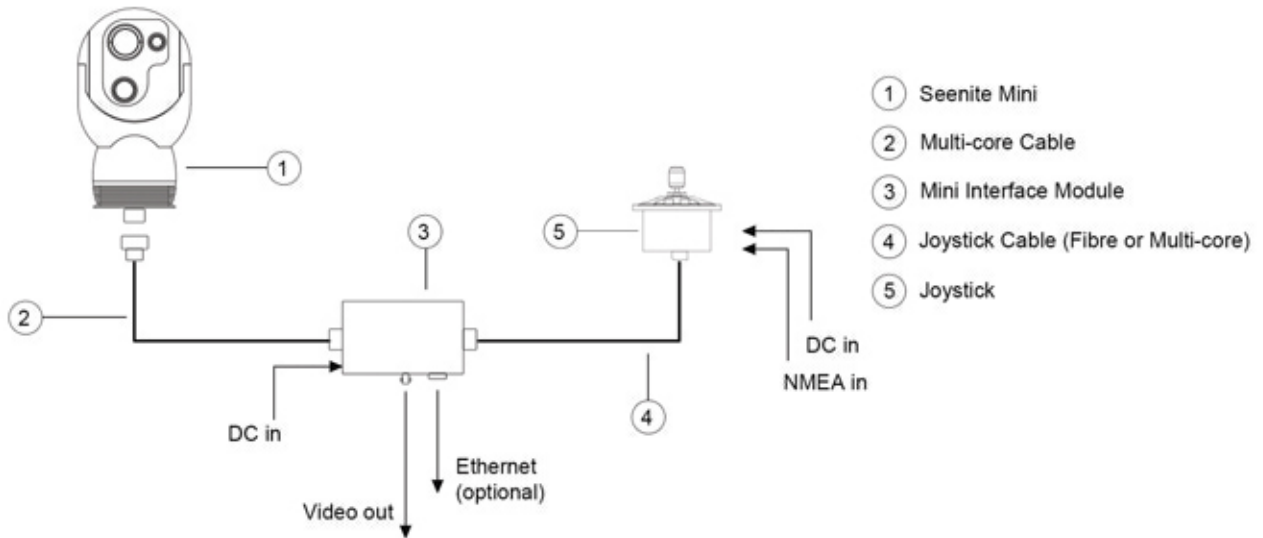
- **Laser Pointer:**
 - Visible designation of objects in water to other search and rescue or security operatives
 - Visible deterrent for engaging hostile craft
- **Thermal Imager:**
 - Day or night detection of targets at up to 5km
 - Performance not restricted by ITAR (no image stager, as associated with US technologies restricted to slow frame rates)
- **High Zoom D/N Sensor:**
 - Powerful zoom lens enables long range recognition of targets in very low light conditions



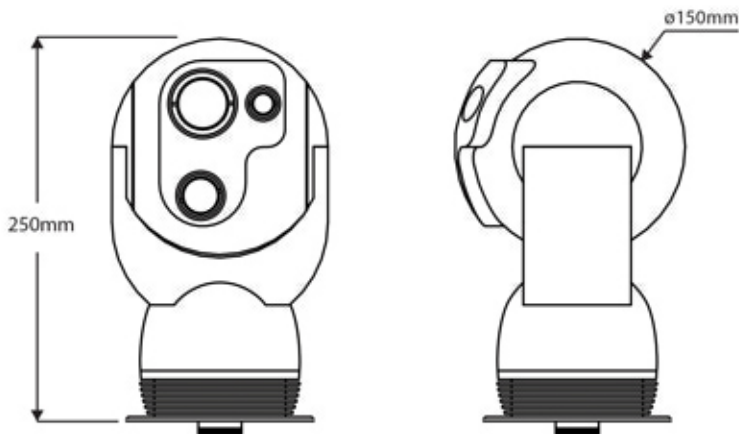
- **Joystick Controller:**
 - Intuitive twist to zoom palm grip joystick
 - Scan modes
 - Position lock
 - Day / Night select

	SNM35	SNM60
Laser Designator Specification		
Wavelength	532nm (Green)	
Power	10mW	
Thermal Imager Specification		
Frame Rate	50hz	50hz
Sensor Size	384x288	640x480
Field of View	17x13	10.4 x 7.8
Focal Length	32mm	60mm
Digital Zoom	4x	4x
Image Processing Algorithm		
Range to Detect Man	0.9km	2.3km
Range to Detect Small Vessel	2.1km	5.4km
Day/Night Imager Specification		
Sensor Type	Day/Night Low Light CCD	
Resolution	530	
Minimum Illumination	0.01lux	
Field of View	58°(h) to 1.7°(h) tele end	
Optical Zoom	36x optical zoom	
Platform Specification		
Mounting	Ball up or ball down (specify on order)	
Material	Carbon Fibre	
Finish	Awlgrip (specify on order)	
Size	25cm Height, 17cm Diameter	
Weight	~5kg	
Stabilisation	Multi Axis Gyrostabilised	
Power Requirements	11VDC to 28VDC	
Operating Temperature	-25°C to +55°C	
Sealing	IP68, Dry Nitrogen Purged	
Multi Axis Joystick Specification		
Palm Grip Joystick	Pan, Tilt, Twist to zoom, Thumb button focus	
Control Modes	Manual, Hold Position (no drift) , Scans, Radar Slave	
Day/ Night Sensor Select	Switches sensor on display	
Gain Control	switches thermal sensor gain settings	
Laser control	laser on/off/strobe	
Open Interface (Option)		
ONVIF IP	Onvif Encoder with ptz control and single channel video stream	
Serial	Pelco P serial interface for PTZ control	
Protocol Convertor	Bespoke protocol convertor and I/O module	
Radars Interface (Option)	Control module for selecting and slaving to Radar Tracked Targets or Electronic Bearing Line	
Video Recorder	GPS, Time, Date Stamped video recorder	

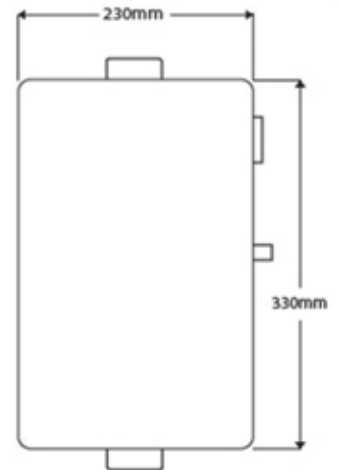
Seenite Mini Schematic



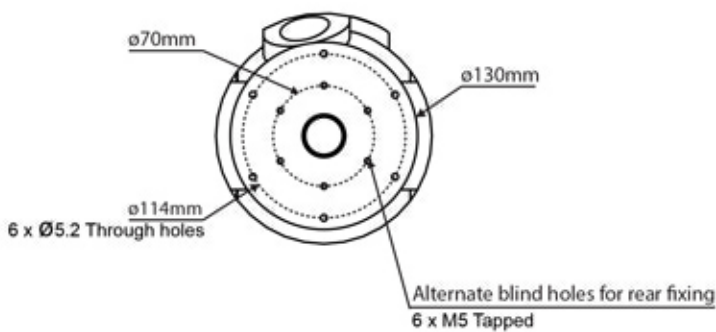
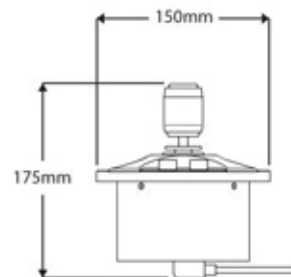
Seenite Mini



Mini Interface Module



Joystick



Specification is subject to variations.