

SeaMoon Watchman

Technical Specification Sheet



A discrete pan/tilt dome camera with high quality thermal imaging

Pan/tilt thermal imaging dome

Day/night security surveillance for mast mount or deck heads

Engine room monitoring camera penetrates smoke and identifies hot spots

Thermal imaging PTZ dome camera in marine housing

Multiple Interface Protocol and IP

8x Zoom

IP69, dry nitrogen purged

Marine grade stainless steel with high polish finish

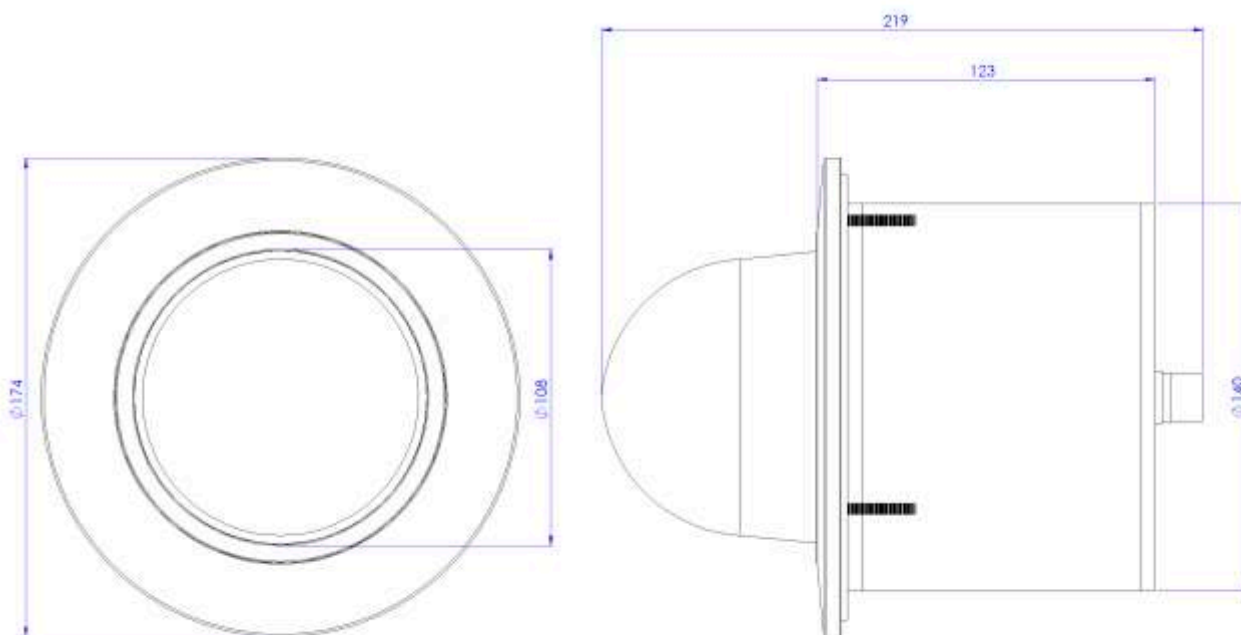
360° endless pan rotation



SeaMoon Watchman

Technical Specification Sheet

Pan rotation angle	360° endless
Control	IP* and serial (multiple protocols including Pelco D/P)
Construction	316 grade stainless steel and carbon fibre
Operating temperature	-40° ~ +60°
Image sensor	Un-cooled thermal imager
Total image pixels	384 x 288
Frame rate	60 fps
Zoom	x4
Power supply	24V dc
Power consumption	10W peak
Weight	4 kg



* Separate in-line box supplied with IP version



Specifications subject to change without notice.

Vector Developments Ltd.
T: +44(0)1929 554709
T/F: +44(0)1929 554719
sales@seenite.com
www.seenite.com